

Pre-Serviced lot

SITE READINESS

To ensure construction is completed when scheduled, your site must be ready for construction on the date selected. Being site ready means:

The house number is visible from the street.

The area around the house is backfilled, and the lot is within 150mm (6 inches) of finished grade

Property pins are in place and preferably marked for easy location

The site is accessible, meaning:

- The site allows for clear, unencumbered access, between the buildings and the property lines, for workers and equipment (ie: trencher or mini hoe) to enter the yard. The recommended minimum access distance is 3 meters (10ft.).

Service routes meet the following requirements for accessibility and safety:

- The service trench will be from the electrical pedestal or power pole to the meter location(s) (typically the closest corner from the pedestal or pole, to the house). This service route must allow for clear, unencumbered access for workers and construction equipment, which can vary depending on soil conditions. The service route will need to remain accessible and uncompromised by future construction such as decks or fences.
 - » Both SaskPower and SaskEnergy reserve the right to determine the meter location(s) due to physical impediments that may restrict access for workers and equipment. Alternate meter location(s) must be preapproved prior to construction.
- Where both services are installed in the same trench (joint trench) the trench must be wide enough to ensure a 0.3 meter (1ft.) distance between the electrical and natural gas service lines.
 - » To meet the in-trench requirement, a minimum 1.2 meter (4ft.) wide utility corridor, parallel to the property line, is needed to install service. Utility corridors 1.8 meters (6ft.) wide are strongly recommended.
 - » Corridors less than the minimum width may result in encroachments over the natural gas service resulting in future relocation costs for the builder or home owner.
 - » Please be aware that any concrete pads or foundations near the utility corridor may slump with settling of the trench.
- Where separate trenches are used, the minimum utility corridor must be 1.8 meters (6ft.) wide to allow the natural gas trench to be at least one meter in distance from the electrical trench.

Pre-Serviced lot

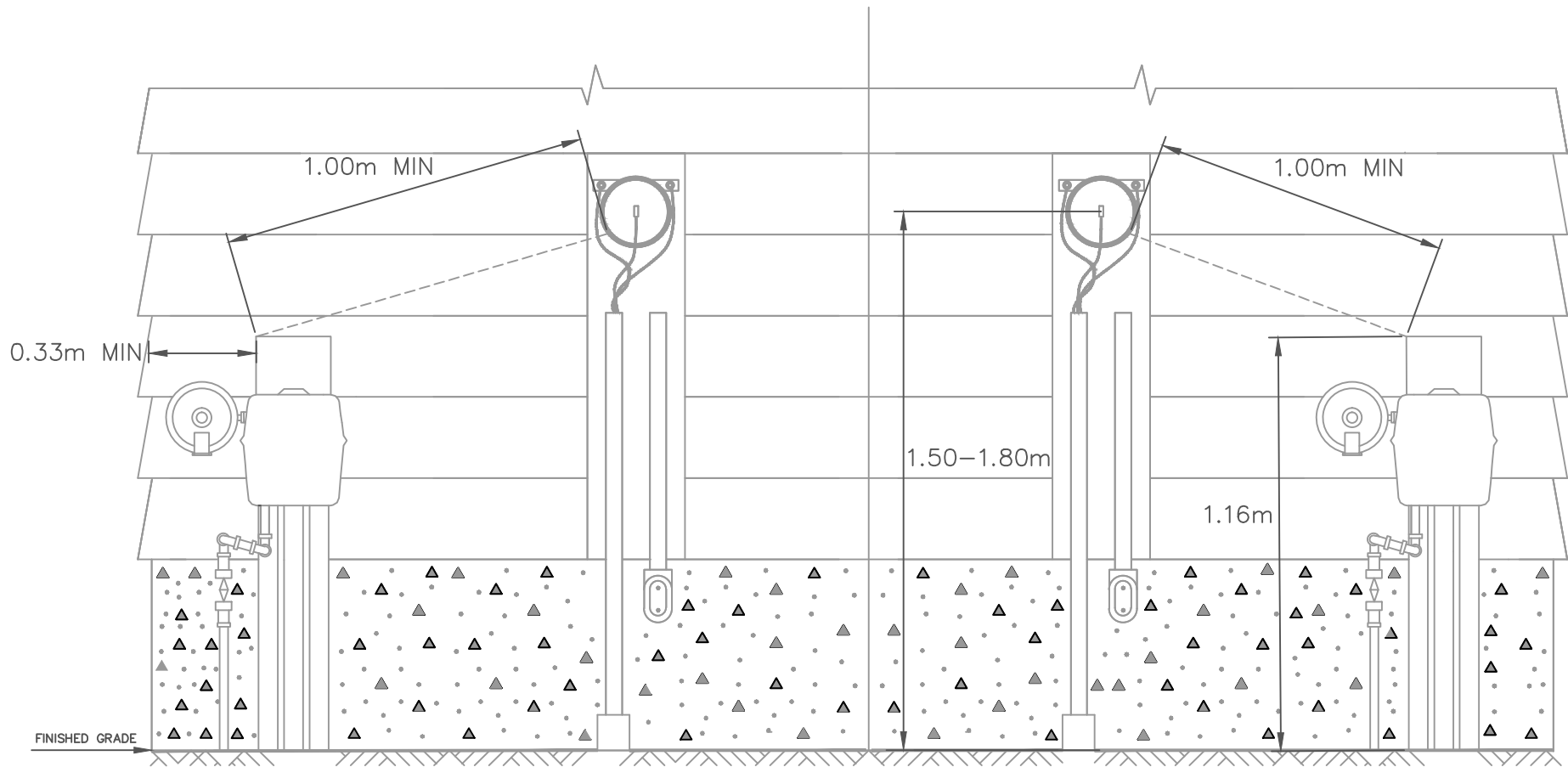
SITE READINESS

Being prepared for meter installations:

- A 24" X 10" pressure treated board is in place to secure the natural gas bracket.
 - » The natural gas meter has a minimum 0.9 meter (3ft.) clearance from any exhaust vents, opening windows or doors. Please refer to your mechanical contractor for appropriate codes of other intake clearances.
- Your electrician has attached an energization sticker on the electrical meter socket indicating the service is ready for connection. This sticker ensures:
 - » An electrical permit has been obtained
 - » The main panel is connected and in the open (off) position
 - » The service is grounded and ready to be connected to SaskPower's electrical system.
- Optional: To speed up your service connection please notify SaskPower once your electrician has affixed the energization sticker. Energization stickers can only be obtained by an electrician.

NOTE: The illustration on the following page depicts the required placements of electrical and gas meter masts in joint trench service installations.

SINGLE FAMILY DWELLING



NOTES:

- SPACING BETWEEN GAS AND ELECTRIC METER BOARDS MUST BE SUCH THAT THERE IS A MINIMUM OF 1 METER BETWEEN THE NEAREST EDGE OF THE ELECTRIC METER SOCKET AND THE LEFT SIDE OF THE GAS METER BOARD.
- THE GAS METER BOARD IS MOUNTED AT A HEIGHT OF 1.16 METERS ABOVE FINISHED GRADE.
- THE GAS METER BOARD MUST BE MOUNTED A MINIMUM OF 0.33 METERS BACK FROM CORNER OF BUILDING.

SCALE: N.T.S.